

Passion Project Proposal: New Gate for Debatable Lands Pennsic Camp

The proposal is to spend an amount not to exceed \$500 to purchase lumber and other supplies, and build a new camp gate for the Debatable Lands Pennsic Camp.

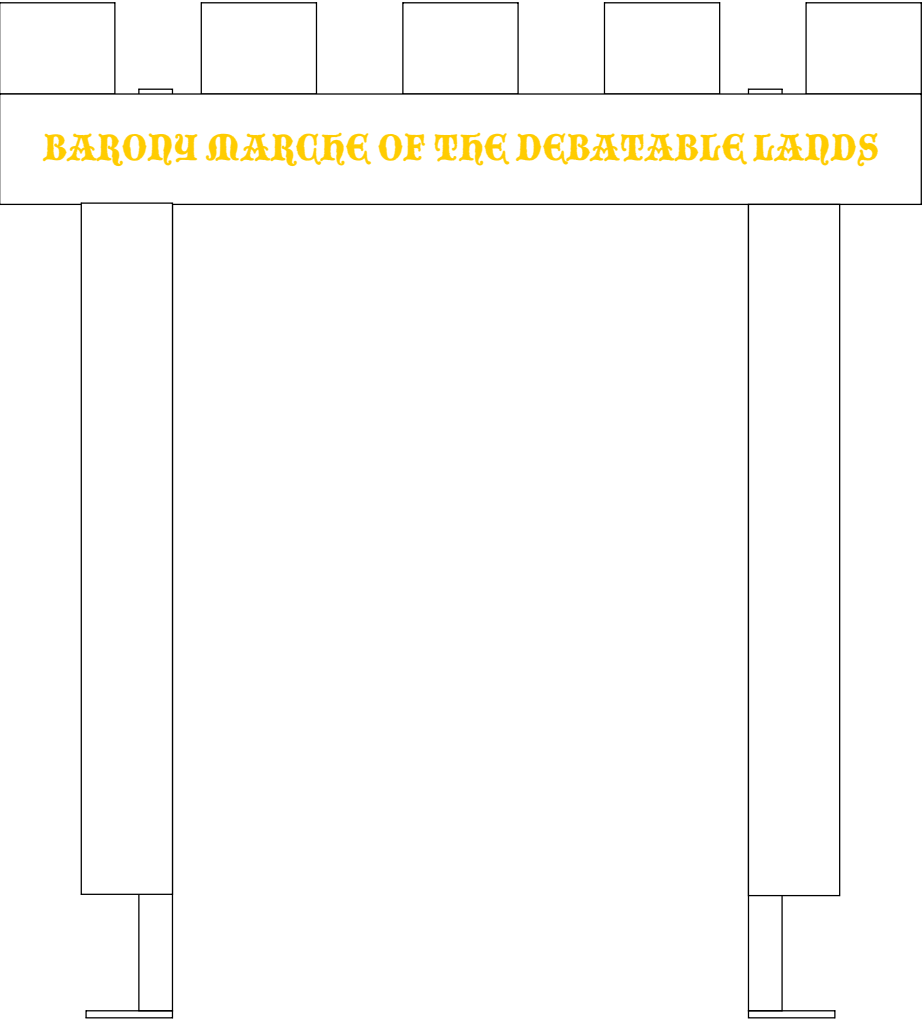
Labor will be donated by the Debatable Lands Woodworking Guild and whoever else can be convinced to help.

Work can occur at Sunday outdoor practices and War Practice and continue until completed.

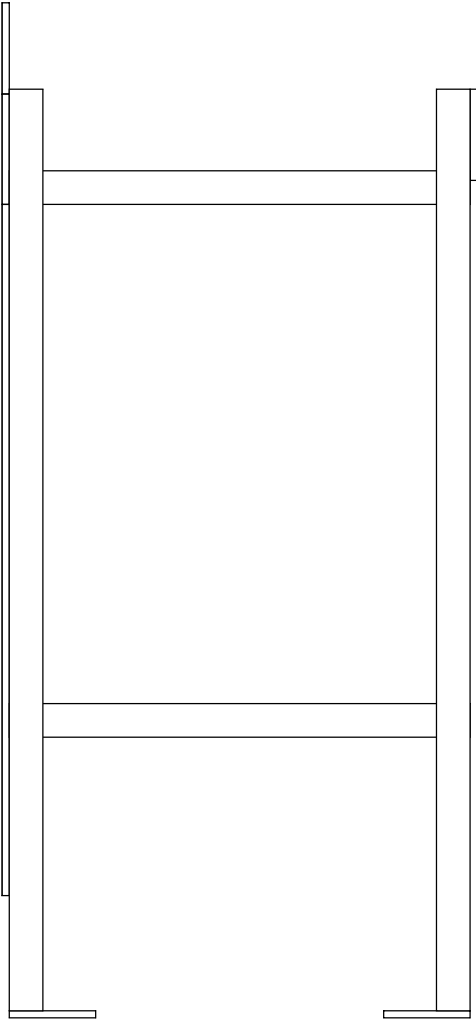
Finished gate to be stored in Baronial storage trailer at Cooper's Lake.

Debatable Lands Pennsic Camp Gate

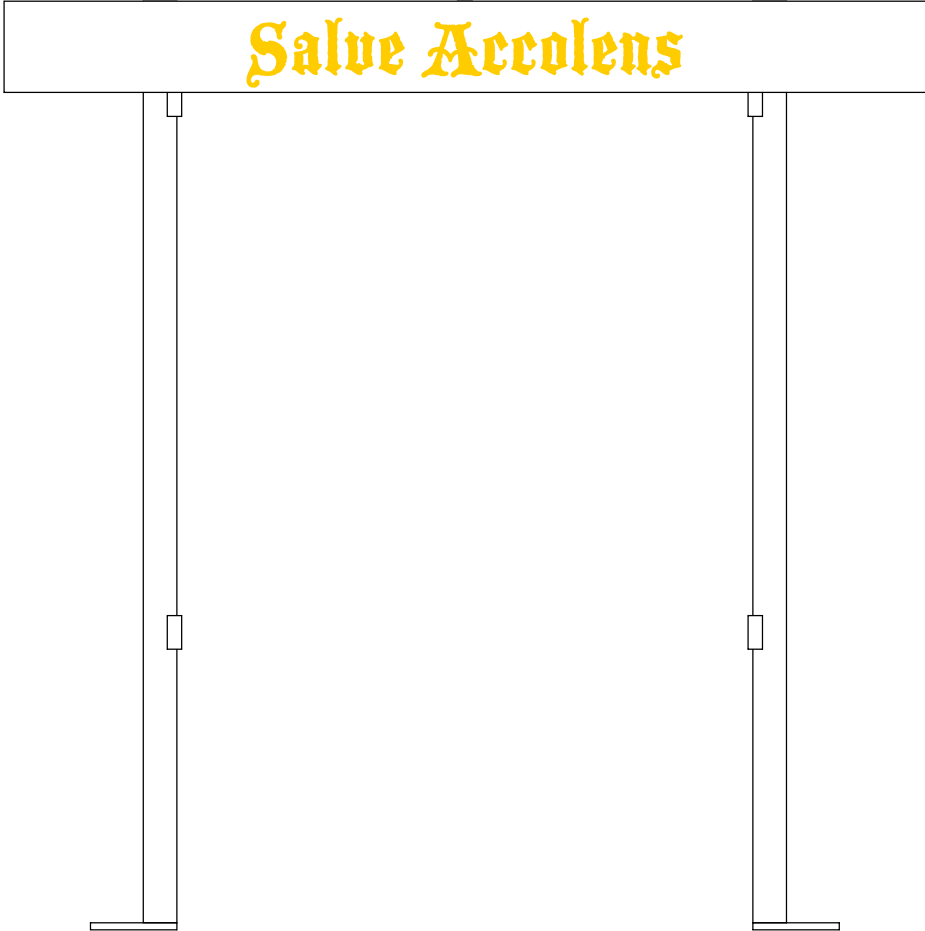
Front



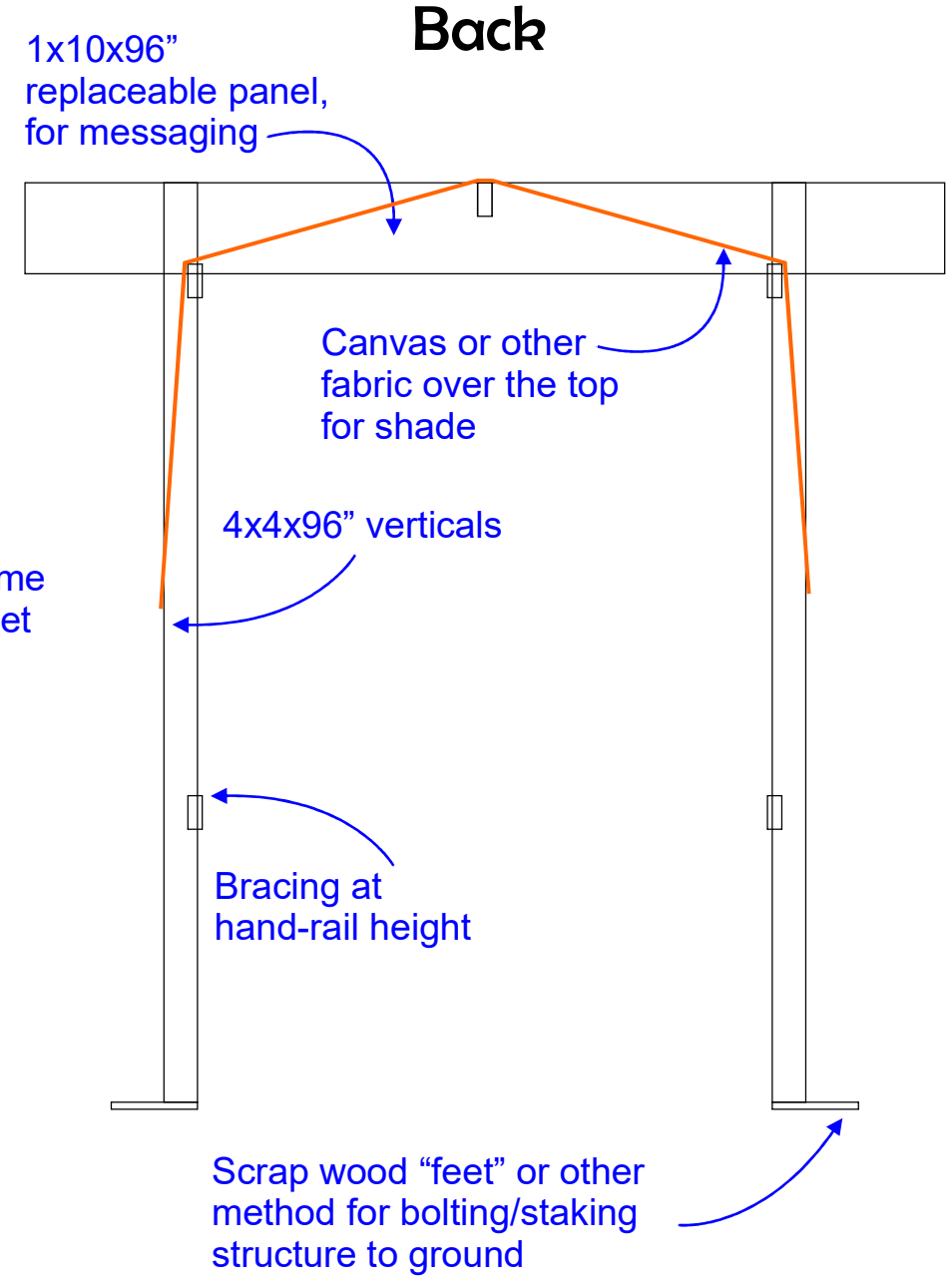
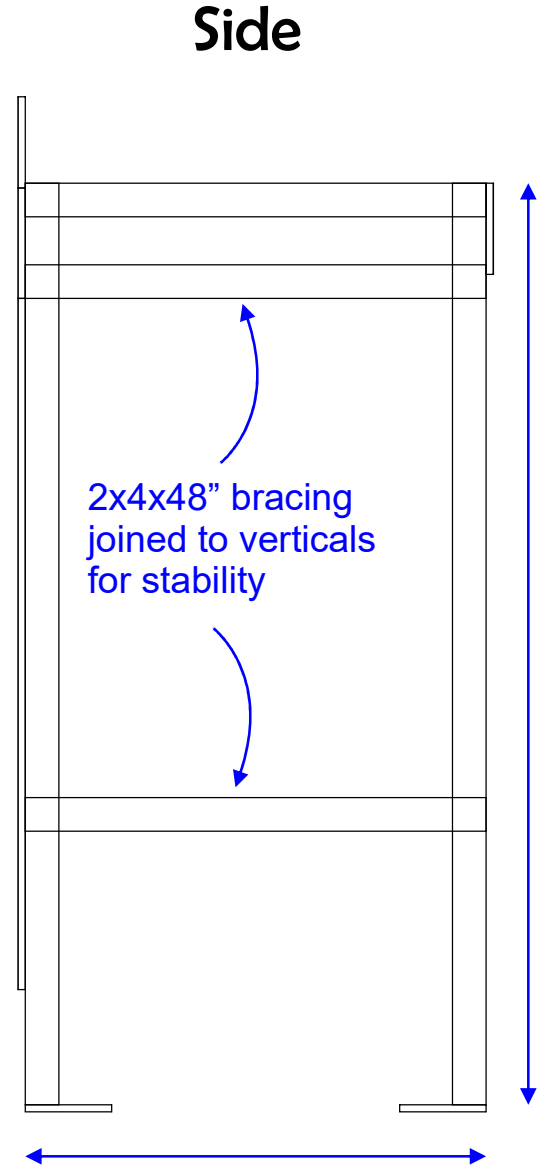
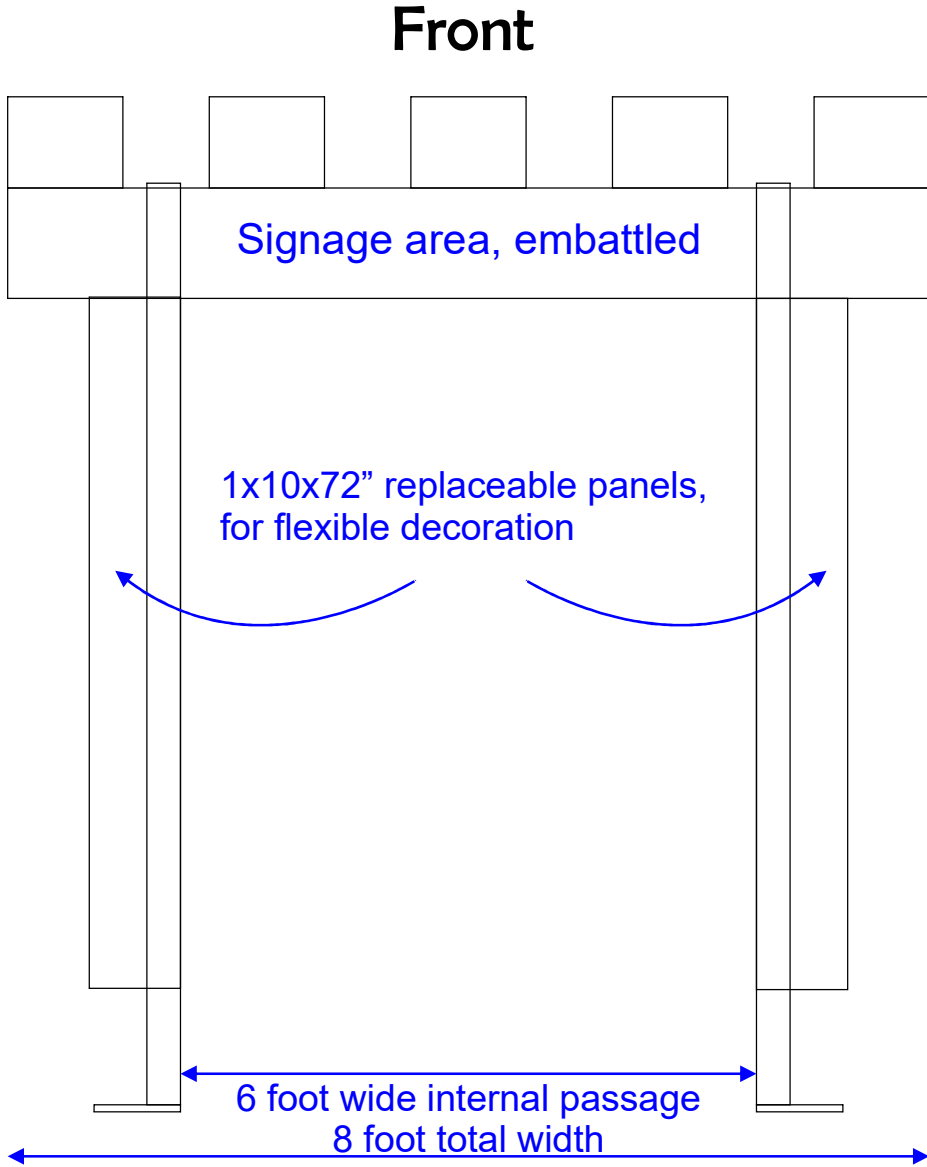
Side



Back



Gate Features



Design Principles

No precious materials or complex methods

- Easy to assemble and disassemble
- All lumber and hardware can be replaced easily
- New features can be added without fuss

Modular and able to be fully disassembled

- Easier to transport
- Easier to store in Baronial trailer
- Pieces can be replaced if damaged
- New pieces can be made at home

Room for creativity

- Gate can be decorated and redecorated easily
- Side panels at front can display announcements
- Top panel at back can display motto or good wishes

Cost Estimates

Posts	4	4x4x8'	\$13.00	\$52.00
Braces	3	2x4x8'	\$4.00	\$12.00
Lintel	1	1x12x8'	\$27.00	\$27.00
Back & Crenellations	2	1x10x8'	\$23.00	\$46.00
Panels	2	1x10x6'	\$19.00	\$38.00
Screws	30	#10x4"	\$40.00	\$40.00
Stain	1	Quart	\$20.00	\$20.00
Polyurethane	1	Quart	\$25.00	\$25.00
Lag Bolts	8	1/2"x10"	\$7.00	\$56.00
Washers	10	1/2"	\$5.00	\$50.00
			Total	\$366.00